

**Kyoto Japan Tire (International) S.A**

*Symbol of Quality & Performance*

## **Kyoto Japan Chains**

Various types of agricultural machinery like tractors, rotary tillers, harvesters (including combine harvesters), balers, rice transplanters, and threshers have adopted a chain drive system approach.

However, due to the different uses of various agricultural machines and different application environments, the performance requirements of different agricultural machine chains have resulted.

Each has its own emphasis. In general, wear resistance, impact resistance, lifespan and high fatigue performance are the core requirements of various agricultural machinery on the chain.

Currently, there are S-type, C-type, CA-type and other specifications for Roller Chains with complete accessories such as K, M, C, F, etc.

**Kyoto Japan quality meets or exceeds OEM requirements.**

The alloy coating surface treatment process technology has been applied to the pin parts of the chain.

The chain installed with the surface alloy coating pin can withstand the most severe environmental tests.

**Kyoto Japan also offers low-maintenance agricultural machinery chains with O-Ring and X-Ring seals.**



### **Kyoto Japan Tire (International) S.A**

**Commercial Office:**  
1 Carrefour de Rive, 1207 Geneva – Switzerland  
Swiss VAT No. : CHE-438.476.258

**Registered Office:** Faberstrasse 4, 8832 Wollerau – Switzerland  
Telephones: +41.21. 826 11 77  
Emails: [geneva@kyotojap.com](mailto:geneva@kyotojap.com) & [sales@kyotojap.com](mailto:sales@kyotojap.com)

**Group Head Office:** Kyoto Japan Tire Corporation Ltd., Tokyo - Japan  
[www.kyotojap.com](http://www.kyotojap.com)

## Agricultural Chain Families

- Baler chains
- SH series high strength heavy duty short pitch roller chains
- SP series high strength short pitch roller chains
- Corn Header Chains
- Elevator Chains
- Feeder Chains
- Drive Chains
- Walking tractor chains
- Combine chains
- Combine chains with attachment
- Harvester chains
- S Type steel agricultural chains
- S Type steel agricultural chains with attachments
- A Type steel agricultural chains
- CA Type steel agricultural chains
- C Type steel agricultural chains with attachments
- Special steel agricultural chains
- Sprockets and Plate Wheels
- Spur, Helical, Bevel, Miter, Worm, Screw, Rack & Pinion Gears
- Gear Shafts



### Kyoto Japan Tire (International) S.A

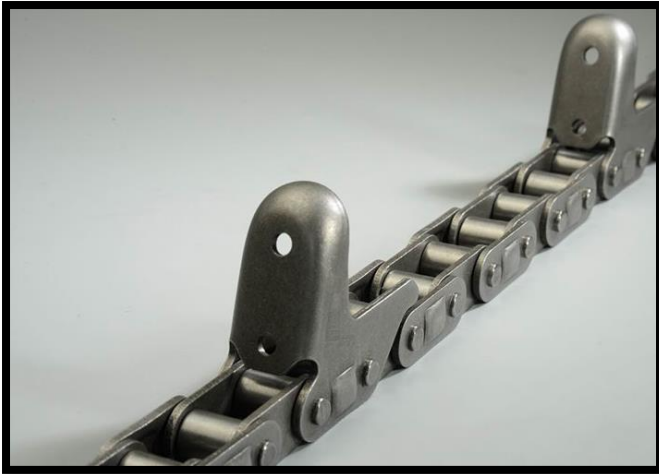
*Commercial Office:*  
1 Carrefour de Rive, 1207 Geneva – Switzerland  
Swiss VAT No. : CHE-438.476.258

*Registered Office:* Faberstrasse 4, 8832 Wollerau – Switzerland  
Telephones: +41.21. 826 11 77  
Emails: geneva@kyotojap.com & sales@kyotojap.com

Group Head Office: Kyoto Japan Tire Corporation Ltd., Tokyo - Japan  
[www.kyotojap.com](http://www.kyotojap.com)

Kyoto Japan Tire (International) S.A

*Symbol of Quality & Performance*



### Kyoto Japan Tire (International) S.A

**Commercial Office:**  
1 Carrefour de Rive, 1207 Geneva – Switzerland  
Swiss VAT No. : CHE-438.476.258

**Registered Office:** Faberstrasse 4, 8832 Wollerau – Switzerland  
Telephones: +41.21. 826 11 77  
Emails: [geneva@kyotojap.com](mailto:geneva@kyotojap.com) & [sales@kyotojap.com](mailto:sales@kyotojap.com)

**Group Head Office:** Kyoto Japan Tire Corporation Ltd., Tokyo - Japan

**[www.kyotojap.com](http://www.kyotojap.com)**

Kyoto Japan Tire (International) S.A

*Symbol of Quality & Performance*

## Industrial Chains

- Attachment Chains
- Conveyor Chains
- Heavy Power Chains
- Hollow Pin Chains
- Industrial Chains
- Leaf Chains
- Roller Chains
- Stainless Steel Chains
- Food Industry Chains



### Kyoto Japan Tire (International) S.A

*Commercial Office:*  
1 Carrefour de Rive, 1207 Geneva – Switzerland  
Swiss VAT No. : CHE-438.476.258

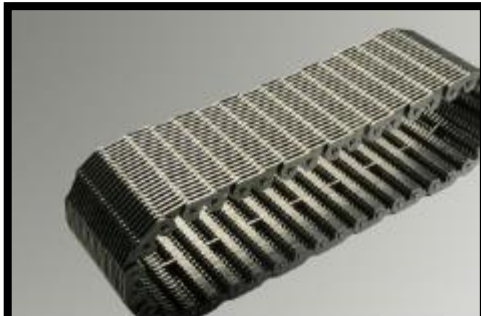
*Registered Office: Faberstrasse 4, 8832 Wollerau – Switzerland*  
Telephones: +41.21. 826 11 77  
Emails: [geneva@kyotojap.com](mailto:geneva@kyotojap.com) & [sales@kyotojap.com](mailto:sales@kyotojap.com)

Group Head Office: Kyoto Japan Tire Corporation Ltd., Tokyo - Japan  
[www.kyotojap.com](http://www.kyotojap.com)



## Kyoto Japan Tire (International) S.A

*Symbol of Quality & Performance*



Silent Chain



Stainless-Steel Flat Top Chain



Large Conveyor Chain



Low-Maintenance Chain



Casting Chain



Scraper Chain



### Kyoto Japan Tire (International) S.A

**Commercial Office:**  
1 Carrefour de Rive, 1207 Geneva – Switzerland  
Swiss VAT No. : CHE-438.476.258

**Registered Office:** Faberstrasse 4, 8832 Wollerau – Switzerland  
Telephones: +41.21. 826 11 77  
Emails: [geneva@kyotojap.com](mailto:geneva@kyotojap.com) & [sales@kyotojap.com](mailto:sales@kyotojap.com)

**Group Head Office:** Kyoto Japan Tire Corporation Ltd., Tokyo - Japan  
[www.kyotojap.com](http://www.kyotojap.com)

## Kyoto Japan Tire (International) S.A

*Symbol of Quality & Performance*



Welded Chain



Leaf Chain



Environment-Resistant Chain



Steel Pin Chain



Roller Chain(ISO,DIN,BS,GB)



Double Pitch Roller Chain



### Kyoto Japan Tire (International) S.A

**Commercial Office:**  
1 Carrefour de Rive, 1207 Geneva – Switzerland  
Swiss VAT No. : CHE-438.476.258

**Registered Office:** Faberstrasse 4, 8832 Wollerau – Switzerland  
Telephones: +41.21. 826 11 77  
Emails: geneva@kyotojap.com & sales@kyotojap.com

**Group Head Office:** Kyoto Japan Tire Corporation Ltd., Tokyo - Japan  
[www.kyotojap.com](http://www.kyotojap.com)



## Kyoto Japan Tire (International) S.A

*Symbol of Quality & Performance*



Conveyor Chain (M,MC,FV,FV)



Hollow Pin Chain



Heavy-duty Cranked-link Chain



Galle Chain



Window Chain



Film Transverse Pulling Chain



### Kyoto Japan Tire (International) S.A

**Commercial Office:**  
1 Carrefour de Rive, 1207 Geneva – Switzerland  
Swiss VAT No. : CHE-438.476.258

**Registered Office:** Faberstrasse 4, 8832 Wollerau – Switzerland  
Telephones: +41.21. 826 11 77  
Emails: [geneva@kyotojap.com](mailto:geneva@kyotojap.com) & [sales@kyotojap.com](mailto:sales@kyotojap.com)

**Group Head Office:** Kyoto Japan Tire Corporation Ltd., Tokyo - Japan  
[www.kyotojap.com](http://www.kyotojap.com)

Kyoto Japan Tire (International) S.A

*Symbol of Quality & Performance*



Timing Chain



Transfer Case Chain



Steel Pintle Chain



Sharp Top Chain



Agricultural Chain



Motorcycle Chain



**Kyoto Japan Tire (International) S.A**

*Commercial Office:*  
1 Carrefour de Rive, 1207 Geneva – Switzerland  
Swiss VAT No. : CHE-438.476.258

*Registered Office: Faberstrasse 4, 8832 Wollerau – Switzerland*  
Telephones: +41.21. 826 11 77  
Emails: [geneva@kyotojap.com](mailto:geneva@kyotojap.com) & [sales@kyotojap.com](mailto:sales@kyotojap.com)

Group Head Office: Kyoto Japan Tire Corporation Ltd., Tokyo - Japan

[www.kyotojap.com](http://www.kyotojap.com)



Kyoto Japan Tire (International) S.A

*Symbol of Quality & Performance*

## Steel Sprockets



### Kyoto Japan Tire (International) S.A

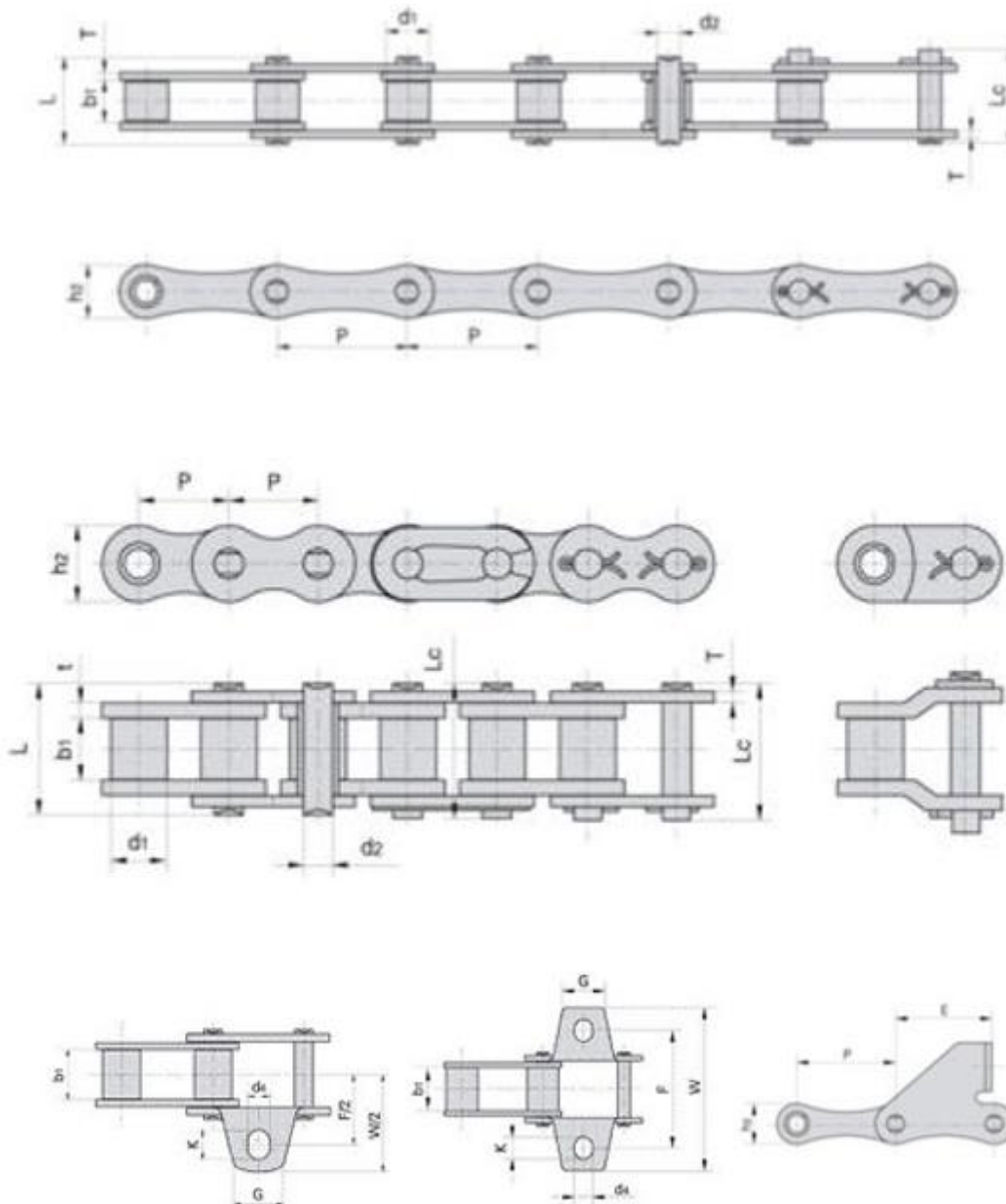
*Commercial Office:*  
1 Carrefour de Rive, 1207 Geneva – Switzerland  
Swiss VAT No. : CHE-438.476.258

*Registered Office: Faberstrasse 4, 8832 Wollerau – Switzerland*  
Telephones: +41.21. 826 11 77  
Emails: [geneva@kyotojap.com](mailto:geneva@kyotojap.com) & [sales@kyotojap.com](mailto:sales@kyotojap.com)

Group Head Office: Kyoto Japan Tire Corporation Ltd., Tokyo - Japan  
[www.kyotojap.com](http://www.kyotojap.com)

Kyoto Japan Tire (International) S.A

Symbol of Quality & Performance



## Kyoto Japan Tire (International) S.A

Commercial Office:  
1 Carrefour de Rive, 1207 Geneva – Switzerland  
Swiss VAT No. : CHE-438.476.258

Registered Office: Faberstrasse 4, 8832 Wollerau – Switzerland  
Telephones: +41.21. 826 11 77  
Emails: geneva@kyotojap.com & sales@kyotojap.com

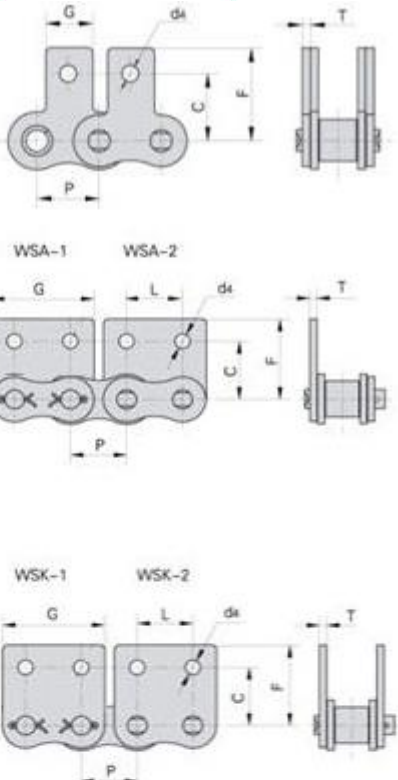
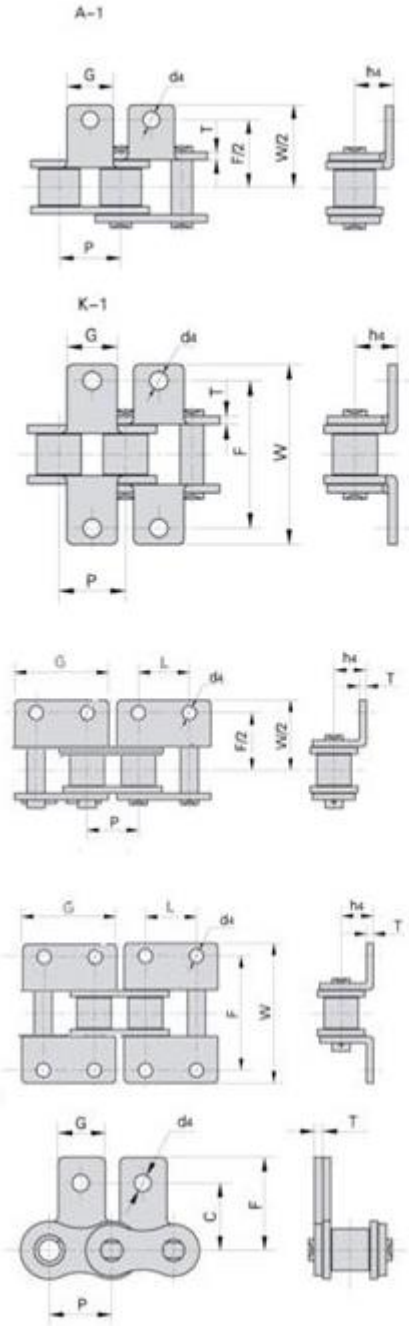
Group Head Office: Kyoto Japan Tire Corporation Ltd., Tokyo - Japan

[www.kyotojap.com](http://www.kyotojap.com)

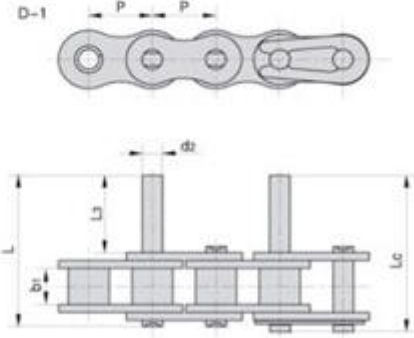
## Kyoto Japan Tire (International) S.A

*Symbol of Quality & Performance*

### Agricultural Chain Attachments



### Extended Pins



**Kyoto Japan Tire (International) S.A**  
 Commercial Office:  
 1 Carrefour de Rive, 1207 Geneva – Switzerland  
 Swiss VAT No. : CHE-438.476.258  
 Registered Office: Faberstrasse 4, 8832 Wollerau – Switzerland  
 Telephones: +41.21. 826 11 77  
 Emails: geneva@kyotojap.com & sales@kyotojap.com  
 Group Head Office: Kyoto Japan Tire Corporation Ltd., Tokyo - Japan  
[www.kyotojap.com](http://www.kyotojap.com)